



Model EC08

for WEBER



PARTS CATALOG

Spec.No. EC08D*0383

 **富士重工業株式会社**
FUJI HEAVY INDUSTRIES LTD.

FIG. 1 CRANKCASE and CYLINDER HEAD

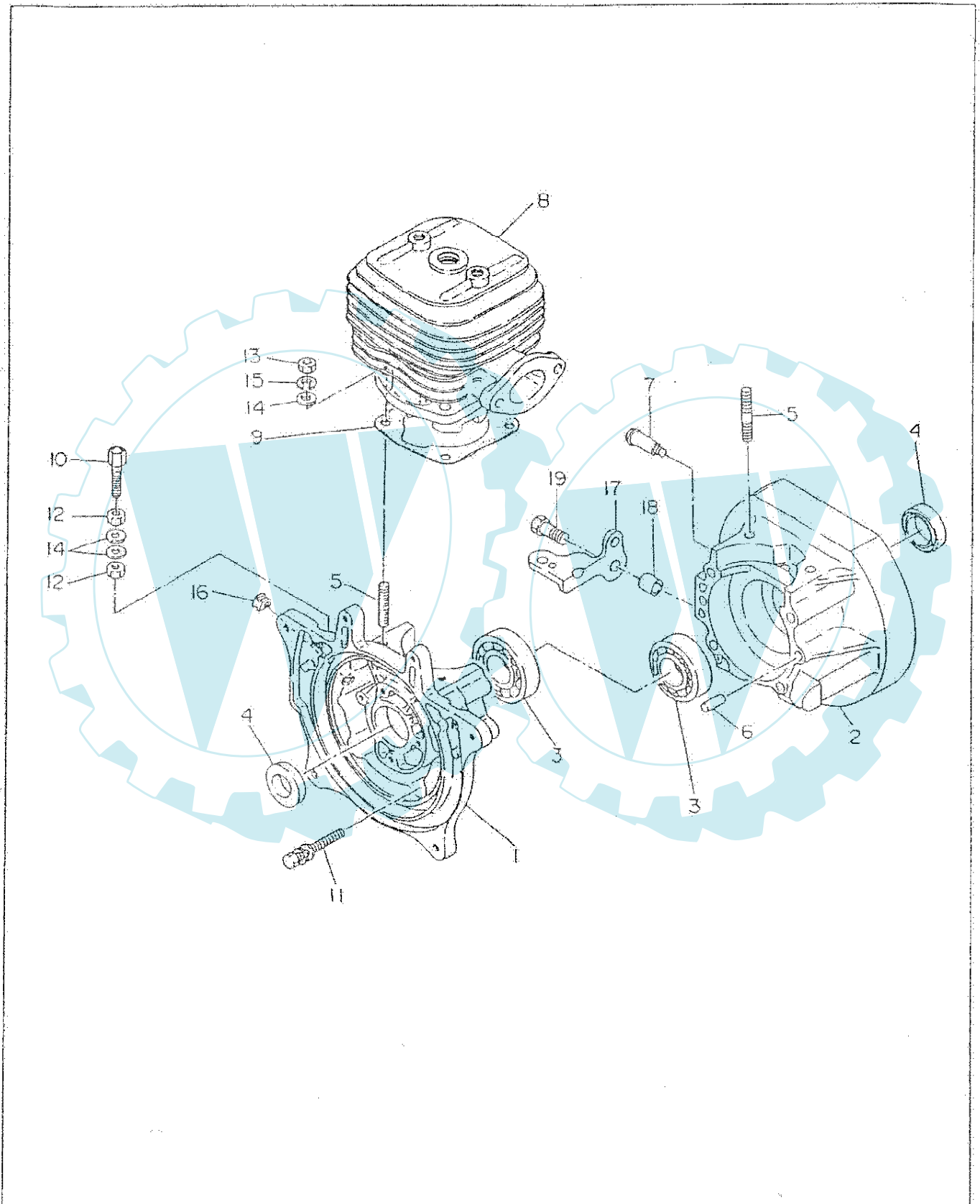


FIG. 1 CRANKCASE and CYLINDER HEAD

Interchangeability

Ref. No.	Parts Number	Description	Qty	Execution
* 1	580 - 10500 - 00	CRANKCASE COMPL. Includes items 2 thru 7	1	
3	060 - 02000 - 20	BALL BEARING	2	
4	044 - 02000 - 20	OIL SEAL	2	
5	010 - 50649 - 40	STUD	4	
6	005 - 26061 - 40	KNOCK PIN	2	
7	580 - 65006 - 01	STRAIGHT FITTING	1	
8	580 - 15014 - 00	CYLINDER	1	
9	580 - 15018 - 00	GASKET (cylinder)	1	
10	014 - 90699 - 81	ADJUST SCREW	1	
11	001 - 14064 - 50	BOLT AND WASHER ASS'Y	4	
12	002 - 27060 - 00	NUT	2	
13	002 - 18060 - 00	NUT	4	
14	003 - 10060 - 00	WASHER	6	
15	003 - 20060 - 00	SPRING WASHER	4	
16	024 - 10299 - 90	GROMMET	1	
17	580 - 45017 - 00	STOP PLATE	1	
18	023 - 00699 - 62	SPACER	2	
19	001 - 67062 - 00	BOLT	2	

FIG. 2 CRANKSHAFT and PISTON

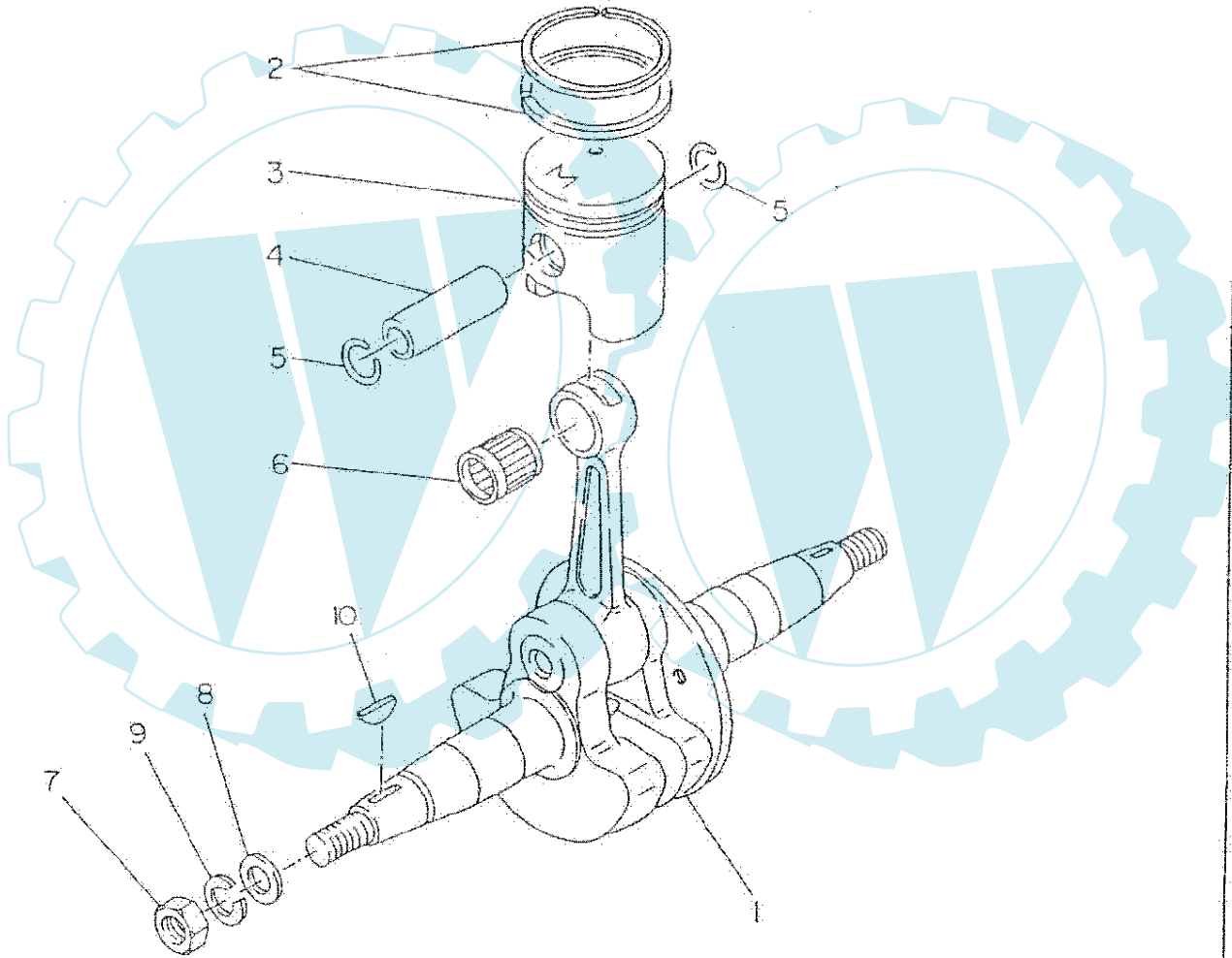


FIG. 2 CRANKSHAFT and PISTON

Interchangeability

Ref. No.	Parts Number	Description	Q'ty	Execution
1	580 - 20290 - 01	CRANKSHAFT COMPL	1	
2	500 - 00081 - 00	PISTON RING SET	1	
3	580 - 25006 - 00	PISTON	1	
4	580 - 25007 - 00	PISTON PIN	1	
5	056 - 51199 - 90	CLIP	2	
6	061 - 01200 - 10	NEEDLE BEARING	1	
7	002 - 18100 - 00	NUT	1	
8	003 - 10100 - 00	WASHER	1	
9	003 - 20100 - 00	SPRING WASHER	1	
10	005 - 32031 - 01	WOODRUFF KEY	1	

580-20730-00

Ihr Ersatzteilspezialist im Internet